
Face Master 1.8W



Destination

Mine Master Ltd. is located in Wilków is a market leader of face drill and bolting rigs for methane free mining as well as bolting rigs for coal mines. Face drill rig Face Master 1, 8 W equipped with crawler carrier, is designed for drilling blast holes in coal mines, where arch type roof support is provided. The machine allows to drill blast holes with sizes 43 – 64mm in excavations where ATEX certificate is required.

Face Master 1.8W



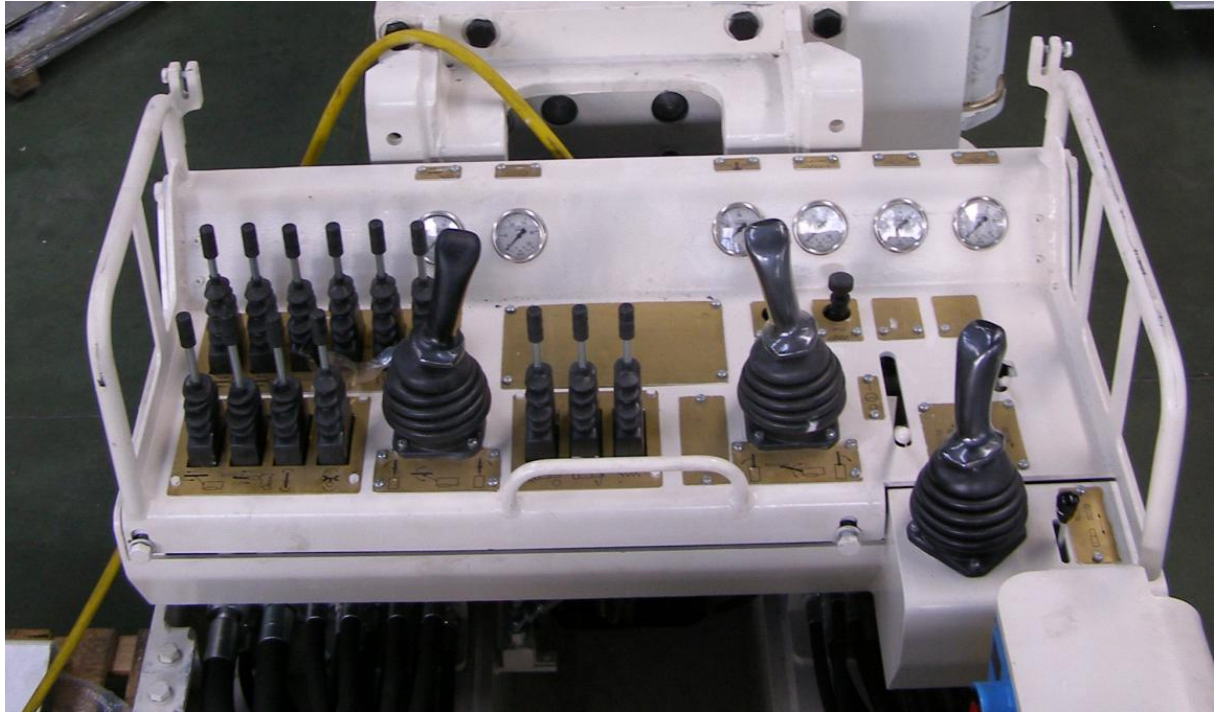
CHARACTERISTIC

- Hydraulic joystick steering of LS type with full proportional control. Shock protection is provided.
- Hydraulic rotary – percussive HD 155 rockdrill – Boart Longyear.
- Undercarriage's width is 1200 mm with hydraulic extensible jacks.
- B 40L boom with 1000 mm extension is operated with two hydraulic joysticks with full automatic proportional control system. The boom can also be used for cross-cutting.
- Bi-axial hydraulic actuator enables change of steering in quick way directly to working axle.
- Latest concept heavy duty steel profile feeder F 7000 with stainless steel guide surfaces. Designed to improve performance and reduce operation costs.
- Minimum tramming height: 1400 mm
- Length: 10 800 mm (for feed: 12")
- Width: 1200 mm
- Weight: 13 000kg

MAIN COMPONENTS

- Latest concept heavy duty steel profile feeder F 7000 with stainless steel guide surfaces and rockdrill carriage are provided. Designed to improve performance and reduce operation costs.
 - B 40L boom with its extension 1000 mm with joystick steering in full proportion control which makes change of steering from one hole to another in quick and exact way, equipped with straight guided feeder system in all surfaces.
 - Modular, ergonomic drilling panel with anti-jamming and progressing control to optimize the drilling process. Equipped with all necessary control-measuring instruments.
 - Rotary-percussive HD 155 rockdrill Boart Longyear with power 15 kW .
 - The caterpillar track's undercarriage – the width of caterpillar track is 300 mm.
 - Power Pack is built over the platform including flameproof electric motor 55 kW and the hydraulic power pack with axial piston pump.
 - Modular block of Machine Electric Power Box for voltage – 500V / 1000V.
-

Face Master 1.8W



Face drill rig Face Master 1.8W - Drilling panel

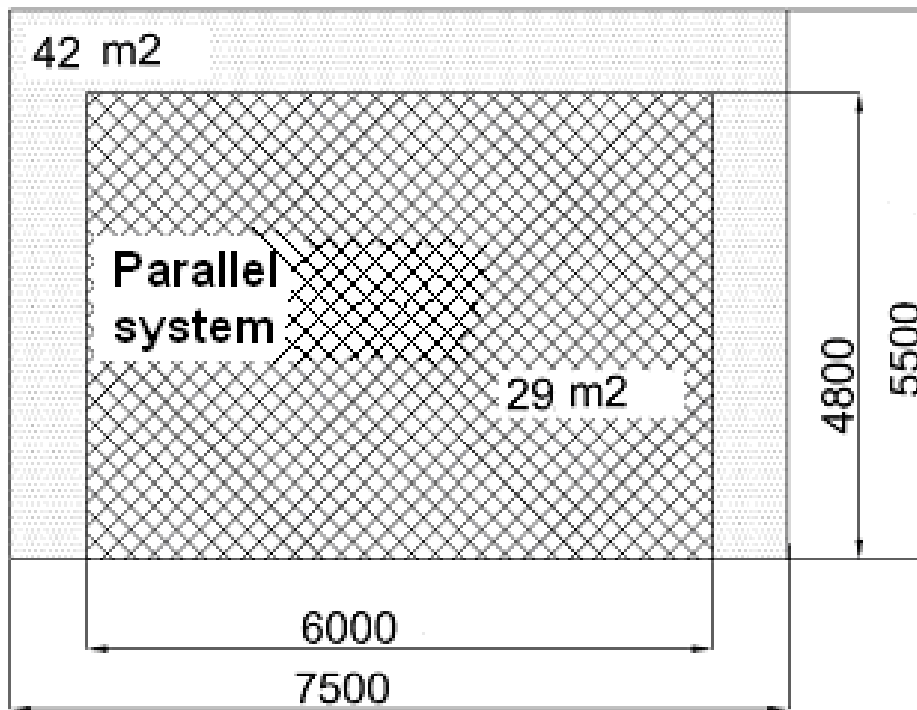


Face drill rig Face Master 1.8W - Caterpillar carrier

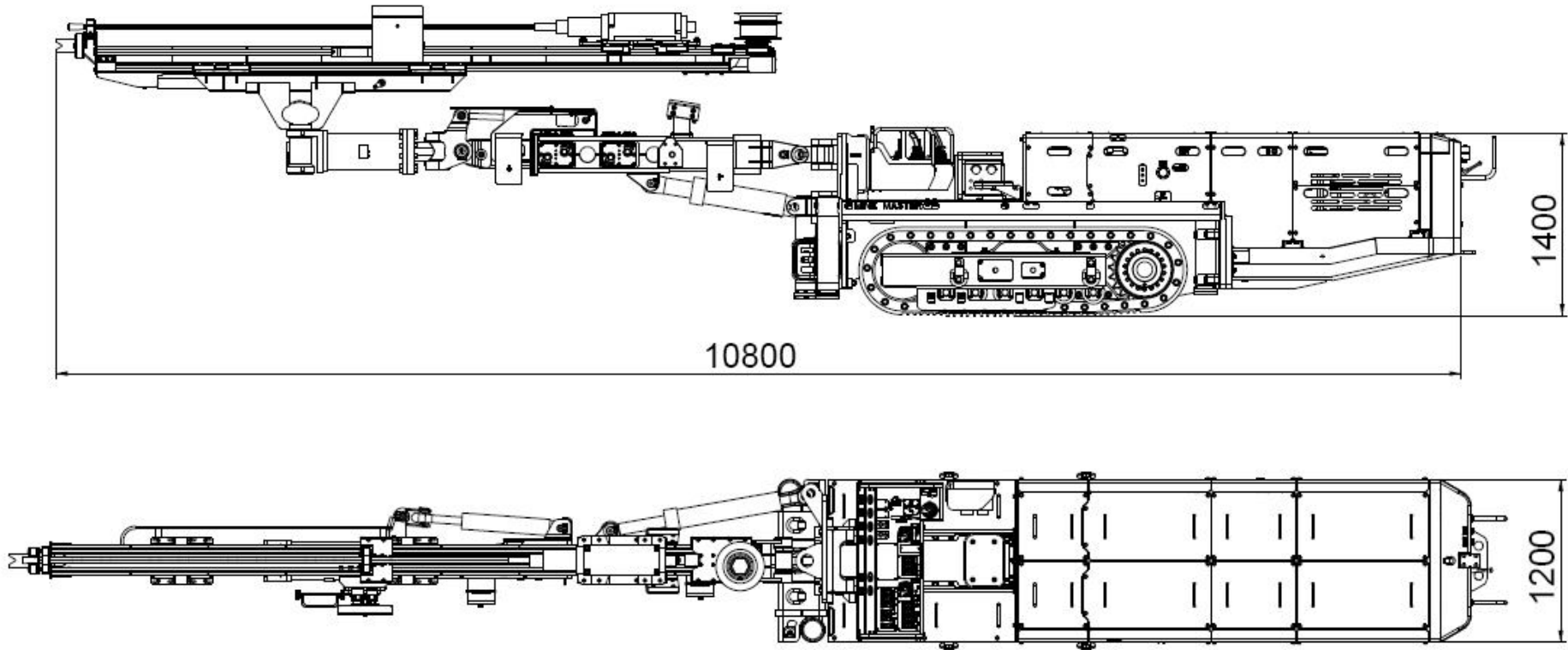
Face Master 1.8W

COVERAGE

Coverage with manual override

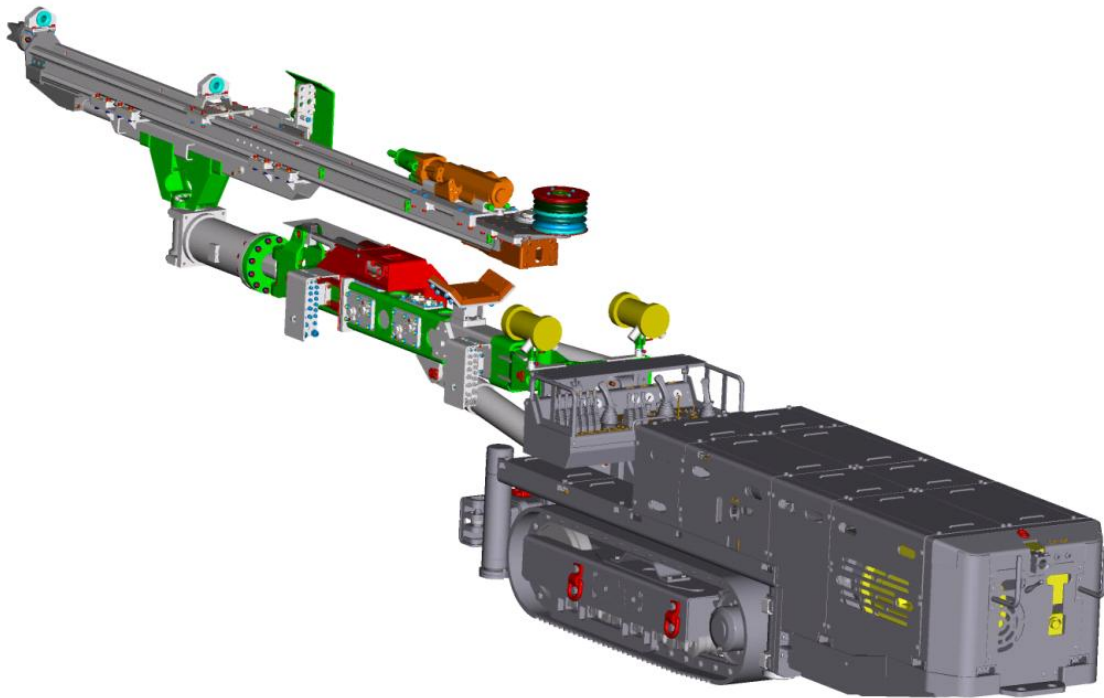


Face Master 1.8W



Face drill rig Face Master 1.8 W – overall dimensions

Face Master 1.8W



Face drill rig Face Master 1.8W –3D model

Technical Data

Characteristics

| | | |
|---|--------------|-------------------|
| 1. General | | |
| Working area | 42 | m ² |
| Total length (for feed12") | 10800 | mm |
| Width | 1200 | mm |
| Height | 1400 | mm |
| Weight | approx. 13,0 | t |
| Longitudinal inclination | ±20 | ° |
| Cross inclination | ±8 | ° |
| Temperature–application range | -5 bis +50 | °C |
| 2. Crawler travel gear | | |
| Crawler travel gear, size | B2 | |
| Centre distance | 1875 | mm |
| Tack pad width | 350 | mm |
| Specific soil pressure | 11 | N/cm ² |
| Tractive force per crawler | 52 | kN |
| Filling quantity planetary gearing travel drive | 2,5 | L |
| Opening pressure multiple disk brake | Min. 23 | bar |
| | Max. 50 | bar |
| Maximum pressure hydraulic tensioning cylinder | 350 | bar |

Face Master 1.8W



| | | |
|---|---------------------|-------------------|
| crawler travel gear | | |
| Planetary gear box | | |
| type/producer | F30/101/K63F | O&K |
| hydraulic motor | A2FE63 | Rexroth |
| Speed | 0-3 | km/h |
| 3. Telescopic Boom | | |
| type | B-40L | |
| stroke | 1000 | mm |
| 4. Feeder | | |
| type | F 7000 | |
| Stroke feed cylinder | 1500 | mm |
| Drill rods | 12" | option 8", 10" |
| 5. Hydraulic rotary-percussion rockdrill | | |
| type | HD-155 | Boart Longyear |
| Impact Power | 15 | kW |
| Frequency | variable | |
| Working pressure | 200 | bar |
| Percussion flow | 120 | l at 200bar |
| Rotation mechanism, max. speed torque | 506 | Nm |
| Rotation mechanism, max. rotational speed | 379 | min ⁻¹ |
| Flushing water | 25-45 | l/min |
| 6. Hydraulics | | |
| Service pressure | 200 | bar |
| Hydraulic pump | | |
| type /producer | axial K3VG 180 | Kawasaki |
| displacement | 180 | cc/rev |
| Degree of filtration water filter | 40 | µm |
| Degree of filtration air filter | 12 | µm |
| Degree of filtration oil filter return flow | 25 | µm |
| Degree of filtration oil filter pressure flow | 10 | µm |
| 6.1 Oil container | | |
| Capacity | approx. 340 | L |
| Temperature control | 70 | °C |
| Hydraulic fluid | Mineral oil, HLP 46 | |
| 7. Electrics | | |
| Service voltage | 500/1000 | V |
| Electric Motor | 55 | kW |